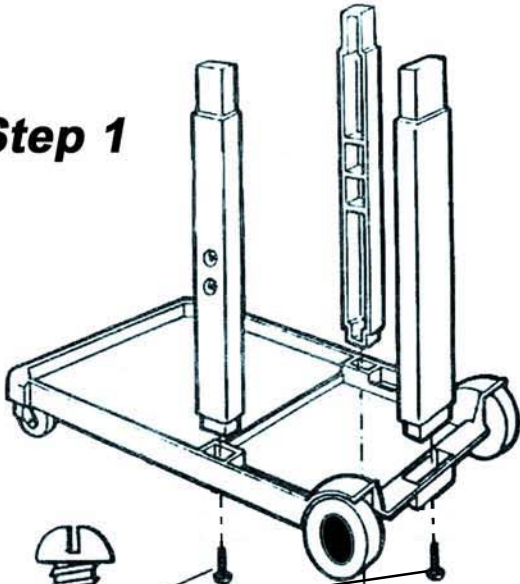
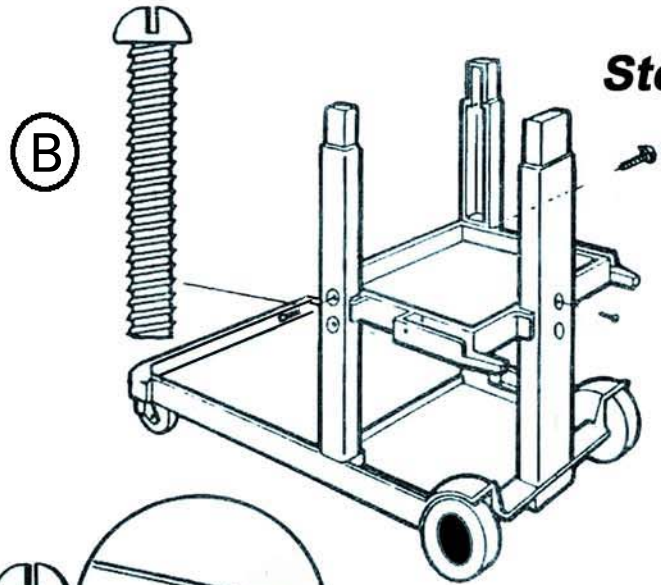


Janitor Cart Assembly Instructions

Step 1

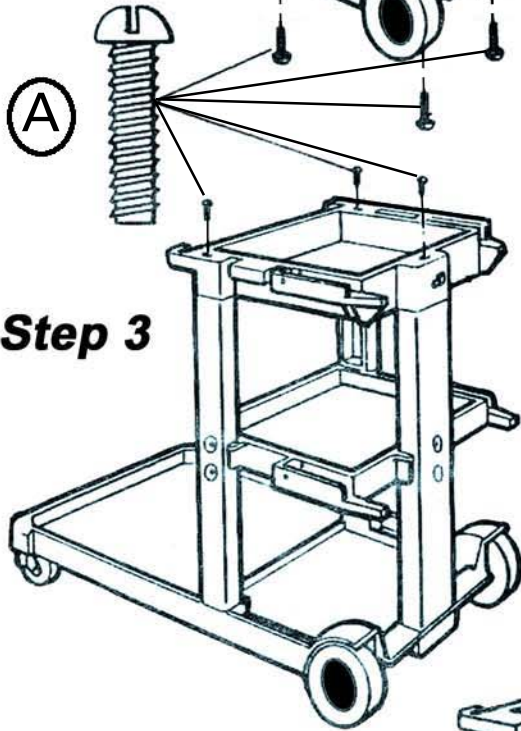


Step 2



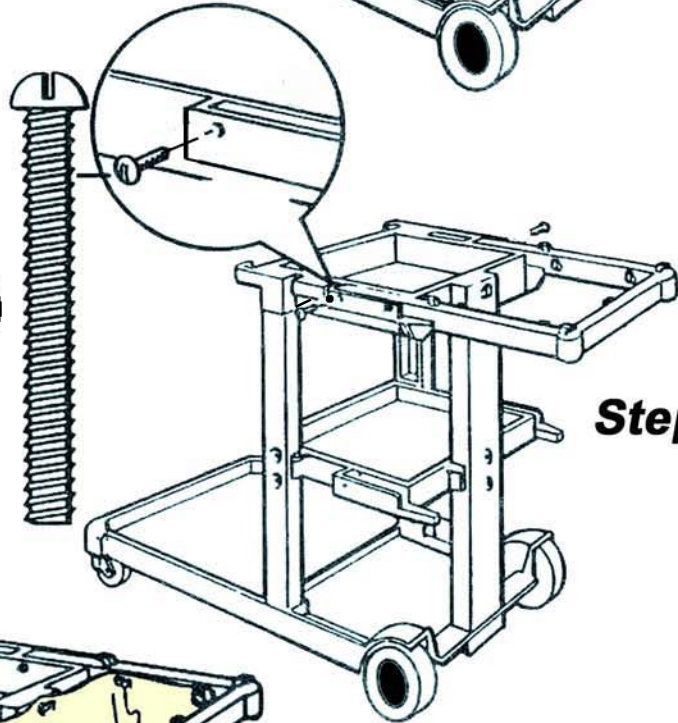
(A)

Step 3

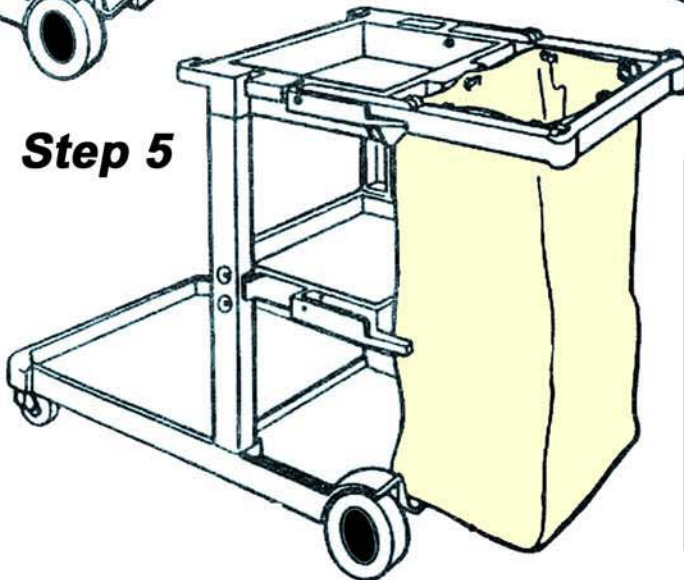


(C)

Step 4



Step 5



Item	Qty.	Size	
A	6	1/4-20 x 1"	Screws
B	3	1/4-20 x 1 1/2"	Screws For Middle Shelf Assembly
C	2	1/4-20 x 1 7/8"	Screws For Handle Assembly