

Here's a Filling Station Everyone
Can Afford...

Station Container & Lids by AIM™



Serve as convenient
central collection site
for
many work stations,
near copier,
break rooms,
in schools,
offices or plant.



16-HGN

Bottles
& Cans



16-H

Bottles
& Cans



16-P

General
Purpose



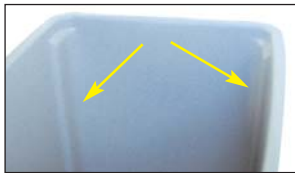
16-S

Slot
"Paper"

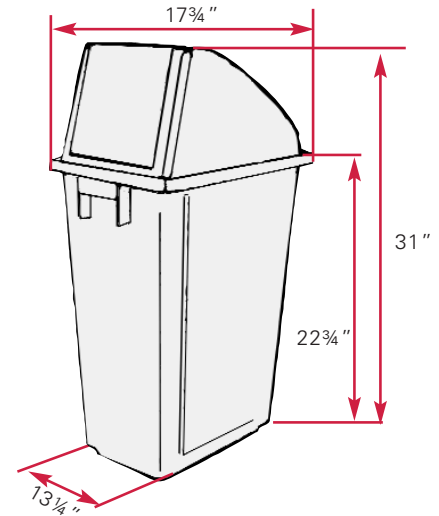
**Slim Line footprint with 16 gallon capacity.
Tough plastic in attractive gray/dark gray color.**

- ♻️ Wastebasket has rolled rim and two large handles for safe lifting.
- ♻️ High-capacity solution for efficient sorting of recyclables.
- ♻️ Restricted-entry lids, provide visual cues to encourage compliance.
- ♻️ Recycling Labels are available.

Item # 54-1 4"x 5" Clear Mylar with White Copy.



Internal vent ribs break
the vacuum when
removing poly liner.



Item#	Description	U/M	Color	Case Pack	Case Dims.
16	Receptacle Only 16 gallon	Ea.	Gray or Green	4	34½"x13½"x17¾"
16-H	Receptacle 16 gal. with Bottle & Can Top	Ea.	Gray/Yellow	4	34½"x13½"x17¾"
16-HGN			Green/Yellow		
16-P	Receptacle 16 gal. with Push Door Top	Ea.	Gray/Dk. Gray	4	35"x13¾"x 18"
16-S	Receptacle 16 gal. with Paper Recycling Top	Ea.	Gray/Dk. Gray	4	34½"x13¾"x18"

Tops Only for 16 Gallon Receptacles

17-H	Bottle & Can Top Only	Ea.	Gray/ Yellow	4	
17-HGN			Green/Yellow		
17-P	General Purpose Push Door Top Only	Ea.	Gray/Dk. Gray	4	
17-S	Slotted Paper Recycling Top	Ea.	Gray/Dk. Gray	4	

AIM™ Alliance in Manufacturing, LLC

3736 Windsor Place, Saint Louis, Missouri 63146

Tel: 314-333-4323

Fax: 314-333-4326

800-613-1086

800-613-1096

e-mail: customer-service@AIM-Alliance.com

Website: www.AIM-Alliance.com